



PANORAMA

PANORAMA



© ABANDW INNOVATION CO., LTD.
 ออฟฟิศ พระราม3 (MS SIAM TOWER ชั้น 24)
 1023 ห้อง 242/243 ชั้น 24 ถนนสุขุมวิท กรุงเทพฯ
 แขวง คลองตันเหนือ เขต วัฒนา กรุงเทพฯ 10120

☎ 034 467 155 , (+66)34 467 155
 📠 034 467 158-9 , (+66)34 467 158-9
 ✉ info@abnwi.com



LINE OFFICIAL ACCOUNT

LINE ID: @abandw



TECHNICAL ADVANTAGES

PS LINEA Series is the perfect solution for your home. When quality, high technology and aesthetics are the main reasons of your choice. By using self-supporting glasses, PS LINEA Series pushes back architectural limits and offers possibility to use glazed surfaces up to 4.5 meters' high.

SLIM PROFILES

SLIM PROFILES From floor to ceiling, 18 to 20 mm vertical profiles, provides minimal appearance merging indoor and outdoor into one. The slim and elegant handle, provides a stream lined appearance, which combined with the special rolling system, ensures smooth opening, closing and easy maintenance of the panels.

EXCEPTIONAL THERMAL AND ACOUSTIC PERFORMANCE

High energy performance of glass surfaces up to 18sqm, assures top thermal and acoustic efficiency and a warm comfort feeling. PS LINEA 137 Series is available as single, double or triple glazed system.

HIGH SECURITY LOCK

High energy performance of glass surfaces up to 18sqm, assures top thermal and acoustic efficiency and a warm comfort feeling. PS LINEA Series is available as single, double or triple glazed system.

In combination with layered/security glass, security lock system, achieves much required high level of security, with up to dual point locking.

UNLIMITED COMBINATIONS

PS LINEA Series offers a full and complete range of solutions according to each architectural project needs. New combinations are constantly under design and development, in order to meet personalized requirements.

QUALITY SERVICE

Dedicated partners backed up by technical team assure prompt and appropriate response for services.



PANORAMA

PS LINEA MINI 83 _____ 1

PS LINEA 137 PLUS FLUSH _____ 5

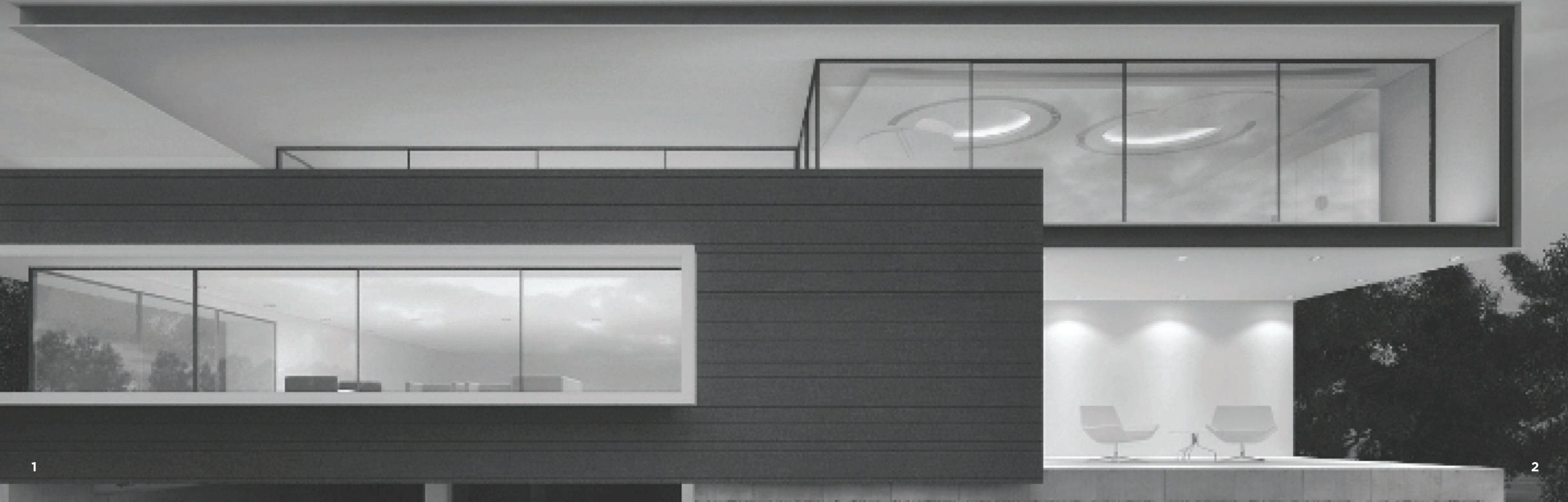
PS LINEA 137 PLUS _____ 7

DRAIN SYSTEM _____ 9



PS LINEA MINI 83

PS LINEA 83 Mini is a new Minimalistic sliding system optimally designed for heights up to 3 meters.
PS LINEA 83 Mini is available in double glass panels with surface area up to 6 Sq. Meters and can accommodate insect screens.
The system design is in line with the latest global trends and demands for minimalist, insulation, aesthetics and security.
With a possibility of wider sash combined with slim profiles, it allows for maximum natural light and adds a complete new dimension to your private spaces.

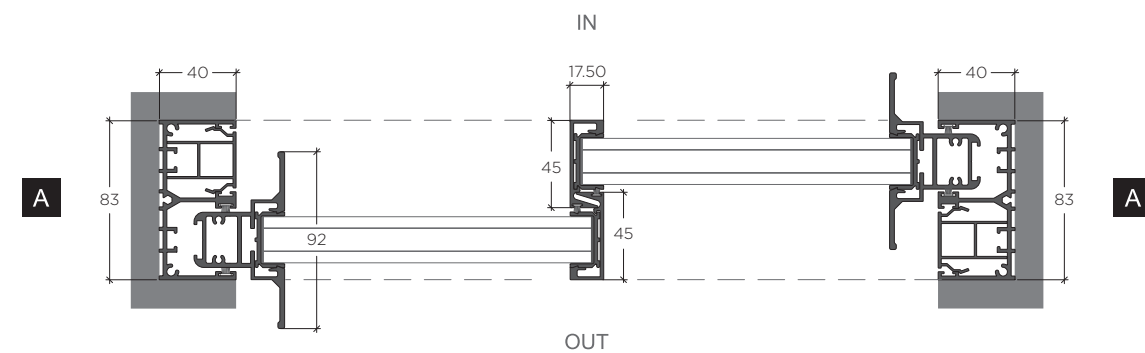
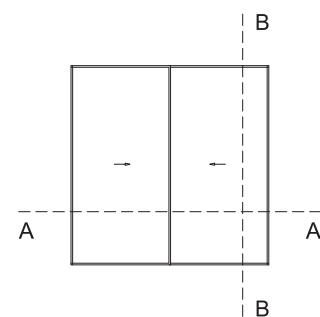




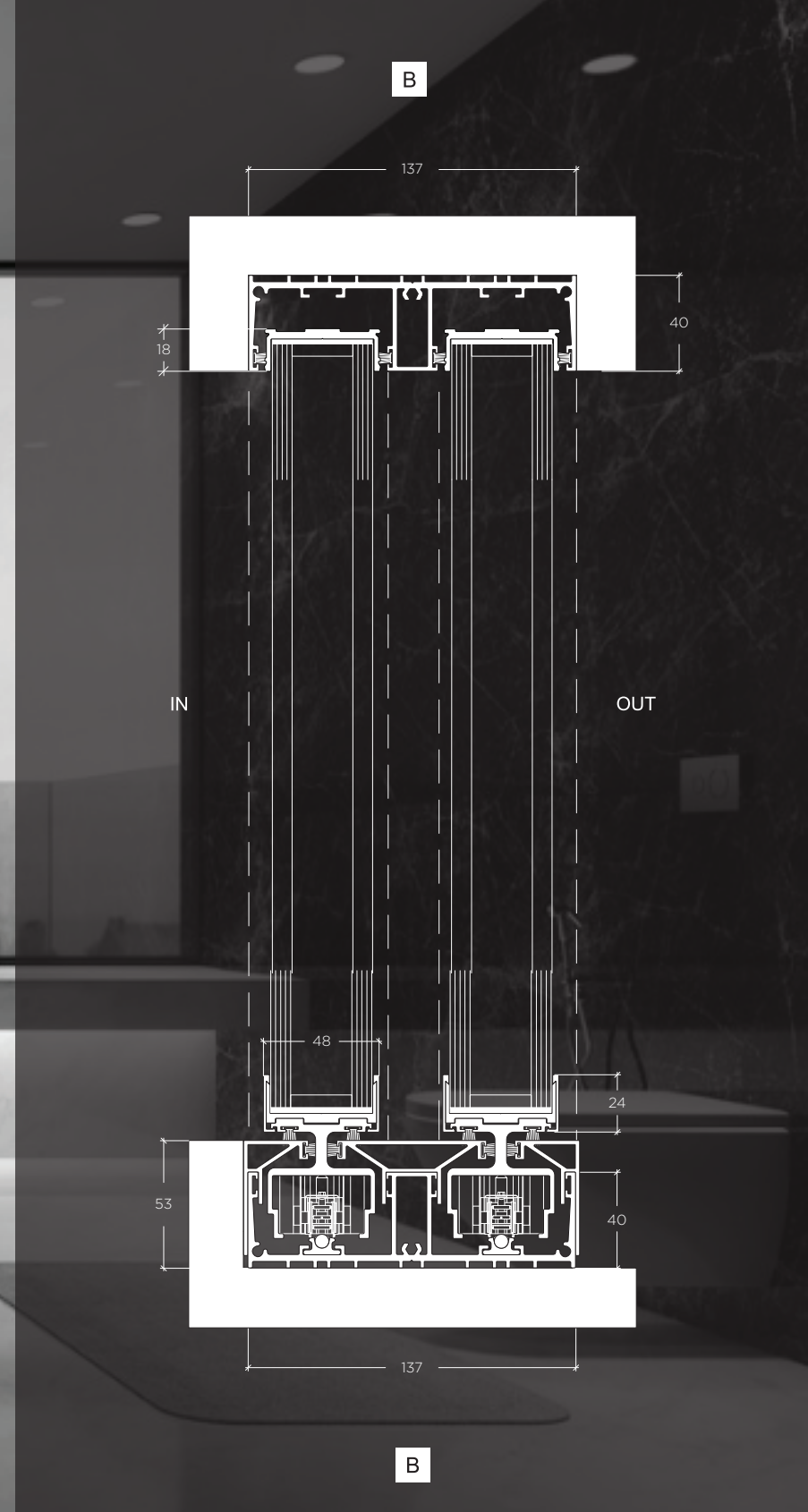
PS LINEA MINI 83

Characteristics

Max Load	180 kg/Panel
Max Panel H	3,000 mm
Max Panel W	1,700 mm
Glass Thickness	8-24 mm



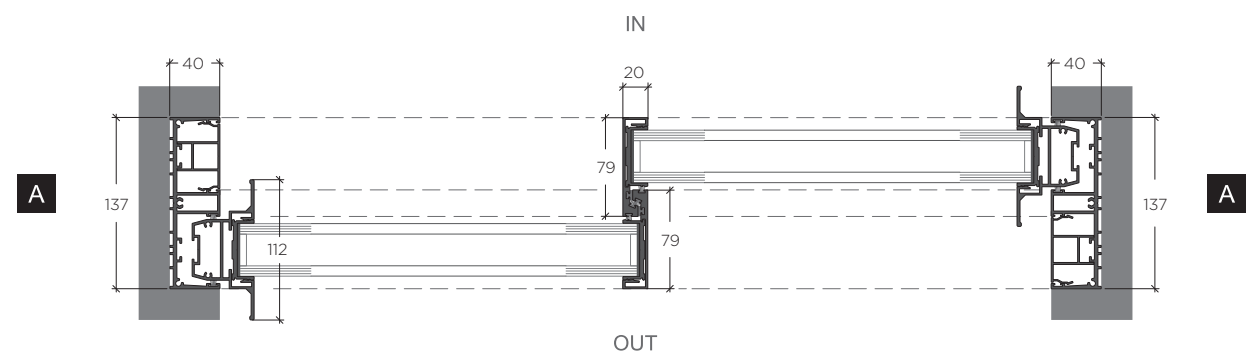
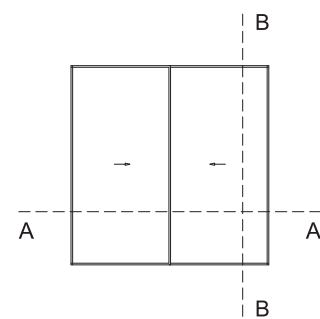
The PS Linea Mini is a new break through Minimalist system design
The system is available in both insulated and non-insulated designs.



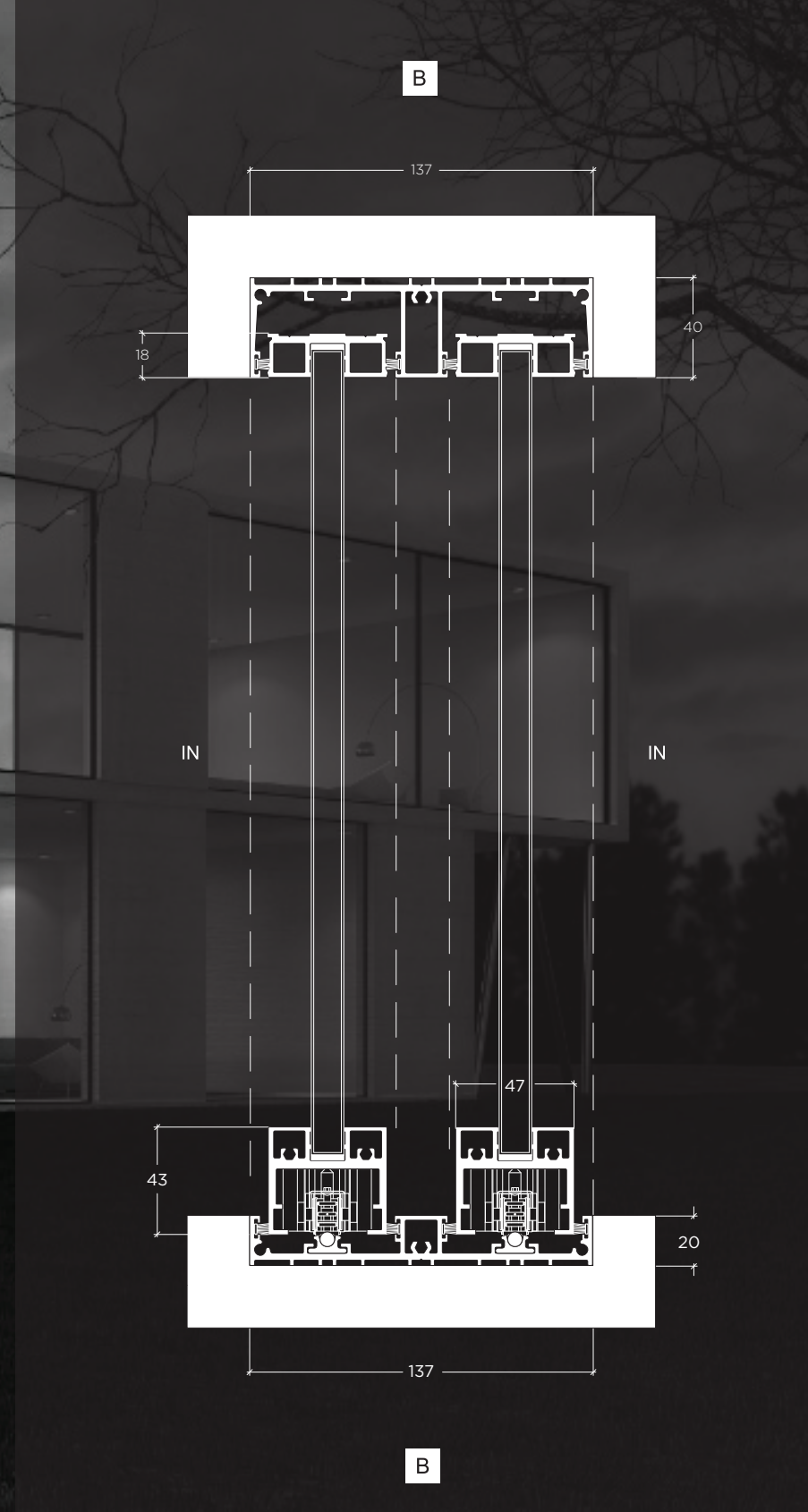
PS LINEA 137 PLUS FLUSH

Characteristics

Max Load	300 kg/Panel
Max Panel H	4,500 mm
Max Panel W	2,000 mm
Glass Thickness	12-42 mm



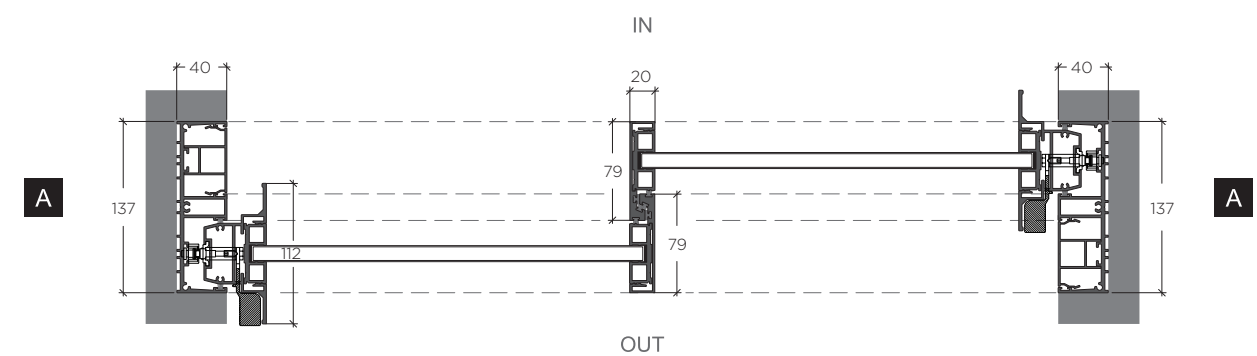
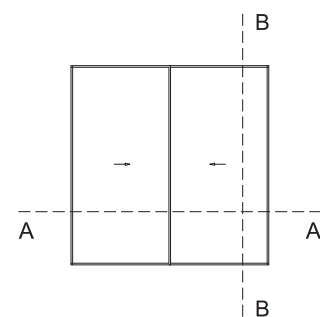
PS Linea 137 offers options of low thresholds allowing for almost seamless floor continuation with least physical obstruction.



PS LINEA 137 PLUS

Characteristics

Max Load	300 kg/Panel
Max Panel H	4,000 mm
Max Panel W	2,000 mm
Glass Thickness	12-42 mm

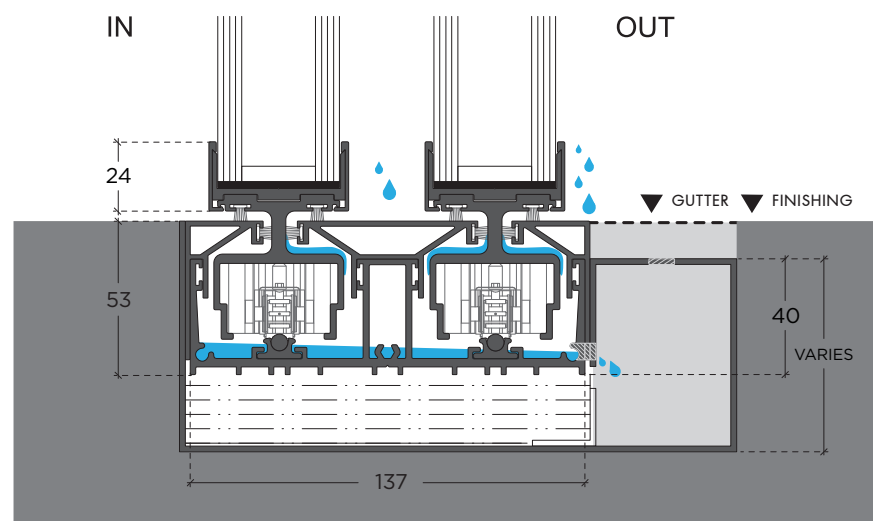
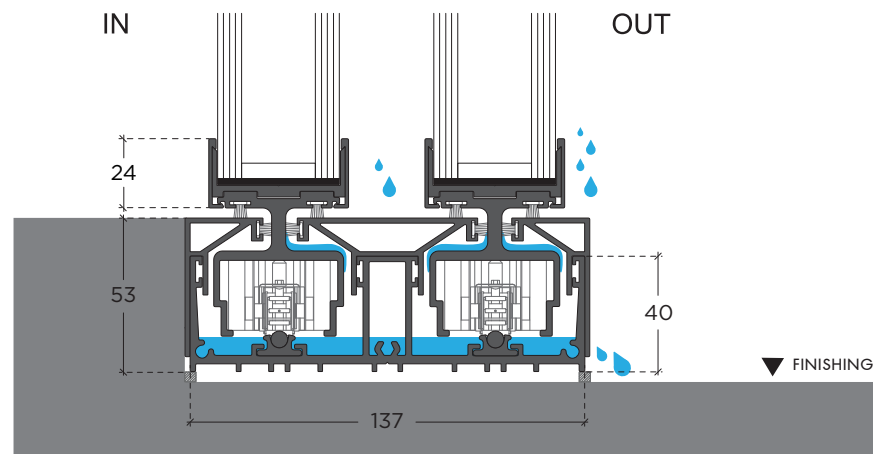


PS LINEA 137 Flush Track offers barrier free floors which help you combine two spaces allowing for flawless view and great safety thanks to a security glass windows and concealed frames.

DRAIN SYSTEM

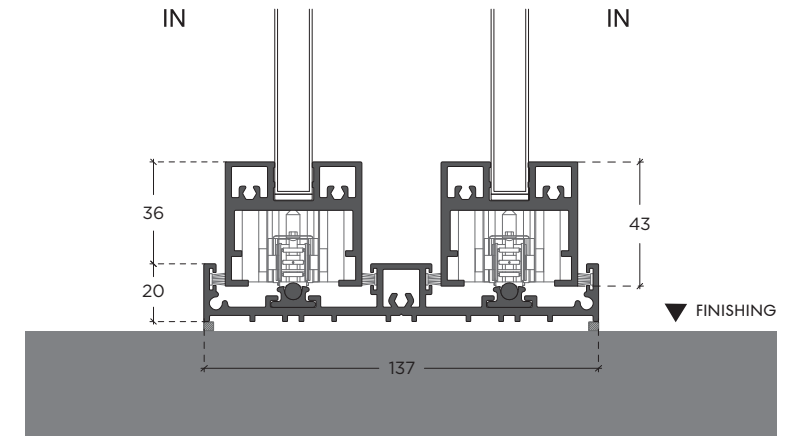
Asan option, gutter system can be incorporated in the PS LINEA 137 in order to reap and drain off the water.

Exterior Sill Prevents



Interior Low Sill Option

Low Sill 20 mm. Height



Low Sill Hidden In The Floor

